

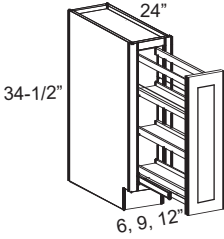
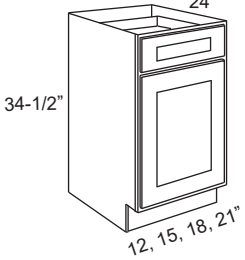
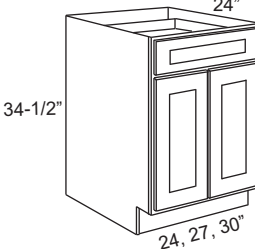
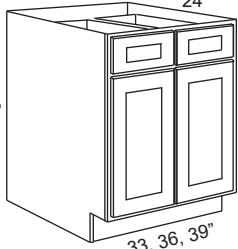
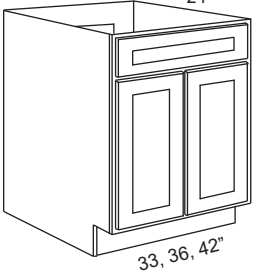
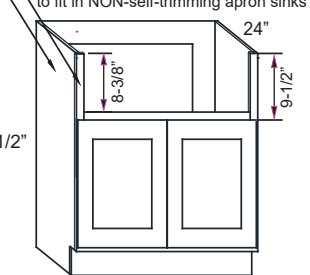
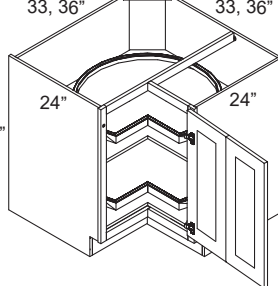
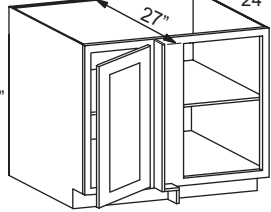
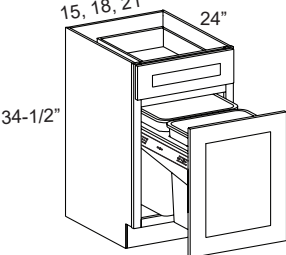
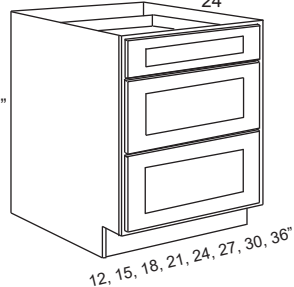
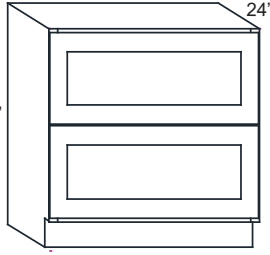
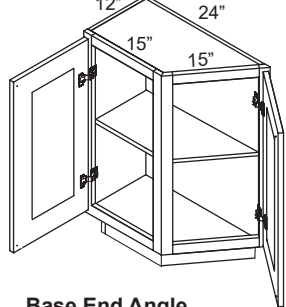
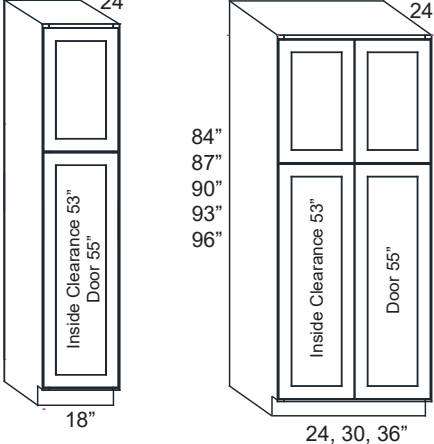
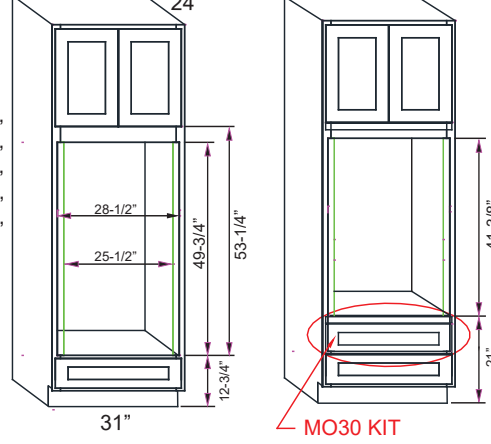
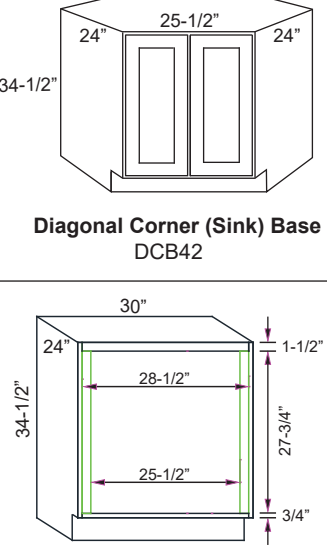
| | | | |
|--|---|---|---|
| <p>Wall Double-Door Short Cabinets Depth: 12" W3012, W3015, W3018, W3021, W3024 W3612, W3615, W3618, W3621, W3624</p> | <p>Wall Refrigerator Cabinets Depth: 24" W361224, W361524, W361824, W362124, W362424</p> | <p>Microwave Wall Cabinets - Open Shelf MWC2730 - Door Ht 12-1/2" MWC2736 - Door Ht 18-1/2" MWC2742 - Door Ht 24-1/2"</p> | |
| <p>Wall Single-Door Cabinets W0930, W1230, W1530, W1830, W2130 W0936, W1236, W1536, W1836, W2136 W0942, W1242, W1542, W1842, W2142</p> | <p>Wall Double-Door Cabinets W2430, W2730, W3030, W3330, W3630, W3930 W2436, W2736, W3036, W3336, W3636, W3936 W2442, W2742, W3042, W3342, W3642, W3942</p> | <p>Built-in Microwave Wall Cabinets with Wood Trims BMW273621 - Door Ht 15-1/2" BMW274221 - Door Ht 21-1/2" ** New Items - Not yet available in all series</p> | |
| <p>Wall Diagonal Corner Cabinets Width: 24" & Depth: 12" WDC2430, WDC2436, WDC2442 Note: Same Doors as W15x(30/36/42)</p> | <p>Increased Depth Wall Diagonal Corner Cabinets Width: 27" & Depth: 15" WDC273615, WDC274215 Note: Same Doors as W15x(36/42)</p> | <p>Wall Easy Reach Cabinets WER2430, WER2436, WER2442 **Interchangeable L & R ** WER2430 has same doors as BLS36</p> | <p>Wall Blind Corner Cabinets WBC2730, WBC2736, WBC2742 Use Same Doors as W27x(30/36/42) Interchangeable L & R</p> <p style="text-align: right; color: red;">Coming Soon Items</p> |
| <p>Wall End Angle Cabinets WEA1230, WEA1236, WEA1242 Can Be Used With Glass Doors Or As Open-Shelf Corners</p> | <p>Wall Spice Racks WSR 0630 WSR 0636 WSR 0642 **WSR0630 - Same doors as BSR06</p> | <p>Medicine Cabinet MC 24x32x08" **Uses W1224 Doors</p> | <p>Wine Racks WR3015 WR3618</p> <p>Stem Glass Holders SGH30, SGH36</p> |

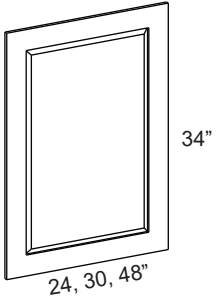
FN - Fossil Nuovo
SW - Spartan White

SS - Savannah Sand
HG - Haven Gray

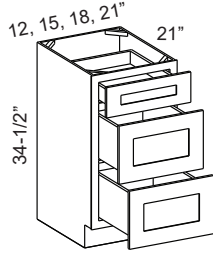
VC - Venice Creme
RE - Richmond Espresso

(CM - Charcoal Milani: Currently Available in Vanities Only)
CK - Caprio Kaffe
AC - Asheville Cotton

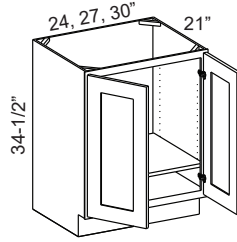
| | | | |
|---|---|---|--|
|  <p>34-1/2"</p> <p>24"</p> <p>6, 9, 12"</p> <p>Base Spice Racks BSR06, BSR09, BSR12</p> |  <p>34-1/2"</p> <p>24"</p> <p>12, 15, 18, 21"</p> <p>Single Door Bases B12, B15, B18, B21</p> |  <p>34-1/2"</p> <p>24"</p> <p>24, 27, 30"</p> <p>Double Door Bases B24, B27, B30</p> |  <p>34-1/2"</p> <p>24"</p> <p>33, 36, 39"</p> <p>Double-Door Double-Drawer Bases B33, B36, B39</p> |
|  <p>34-1/2"</p> <p>24"</p> <p>33, 36, 42"</p> <p>Sink Bases SB33, SB36, SB42</p> | <p>Trim down frame & side panels as needed to fit in NON-self-trimming apron sinks</p>  <p>34-1/2"</p> <p>24"</p> <p>8-3/8"</p> <p>9-1/2"</p> <p>33, 36"</p> <p>Apron / Farm Sink Bases ASB33, ASB36 Self-Trimming Sinks Recommended</p> |  <p>34-1/2"</p> <p>33, 36"</p> <p>33, 36"</p> <p>24"</p> <p>24"</p> <p>Base Lazy Susans BLS33, BLS36 Interchangeable L & R</p> |  <p>34-1/2"</p> <p>42"</p> <p>27"</p> <p>24"</p> <p>Blind Base Corner BBC42 Interchangeable L & R Resize to BBC45 by + (1) W3930 Door Resize to BBC48 by + W2130 Door ** Patent Pending</p> |
|  <p>34-1/2"</p> <p>15, 18, 21"</p> <p>24"</p> <p>Waste Basket Bases WB15, WB18, WB21 Super Duty Construction! ** Patent Pending</p> |  <p>34-1/2"</p> <p>24"</p> <p>12, 15, 18, 21, 24, 27, 30, 36"</p> <p>3-Drawer Bases DB12-3, DB15-3, DB18-3, DB21-3 DB24-3, DB27-3, DB30-3, DB36-3</p> |  <p>34-1/2"</p> <p>24"</p> <p>30, 33, 36"</p> <p>2-Drawer Bases DB30-2, DB33-2, DB36-2 ** Useful for Pots, Pans, & Cooktops</p> |  <p>34-1/2"</p> <p>12"</p> <p>24"</p> <p>15"</p> <p>15"</p> <p>Base End Angle BEA1224 Interchangeable L & R Note - Same doors as W1530</p> |
|  <p>84"</p> <p>87"</p> <p>90"</p> <p>93"</p> <p>96"</p> <p>Inside Clearance 53" Door 55"</p> <p>18"</p> <p>24, 30, 36"</p> <p>Pantry Cabinets PC1884, PC1887, PC1890, PC1893, PC1896 PC2484, PC2487, PC2490, PC2493, PC2496 PC3084, PC3087, PC3090, PC3093, PC3096 PC3684, PC3687, PC3690, PC3693, PC3696</p> |  <p>84"</p> <p>87"</p> <p>90"</p> <p>93"</p> <p>96"</p> <p>24"</p> <p>31"</p> <p>28-1/2"</p> <p>25-1/2"</p> <p>12-3/4"</p> <p>49-3/4"</p> <p>53-1/4"</p> <p>41-3/8"</p> <p>21"</p> <p>MO30 KIT ** Only works for 1-PC Mw-Oven Combo</p> <p>Oven & Microwave-Oven Combo Cabinets OC3184, OC3187, OC3190, OC3193, OC3196 Fit Both 27" and 30" wide ovens ** Single Ovens can be fitted by adding drawers or doors</p> |  <p>34-1/2"</p> <p>42"</p> <p>42"</p> <p>24"</p> <p>25-1/2"</p> <p>24"</p> <p>Diagonal Corner (Sink) Base DCB42</p> <p>34-1/2"</p> <p>24"</p> <p>30"</p> <p>28-1/2"</p> <p>25-1/2"</p> <p>1-1/2"</p> <p>27-3/4"</p> <p>3/4"</p> <p>Undercounter Base Oven UBO30 - Fits Both 27" and 30" wide ovens</p> | |



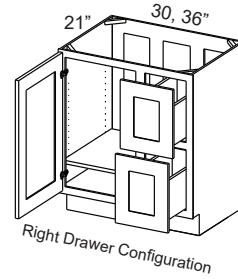
Vanity Framed Mirrors
VFM2434, VFM3034,
VFM4834
Rotatable; Plywood Backing
with 5mm Thick Mirrors



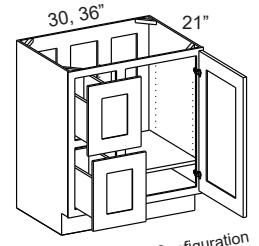
Vanity Drawer Bases
VDB12, VDB15,
VDB18, VDB21



Vanity Full-Door Bases
VS24, VS27, VS30
** Come with Full-Panel Backs
** Versatile Uses



Right Drawer Configuration

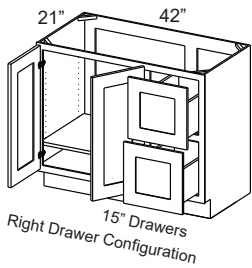


Left Drawer Configuration

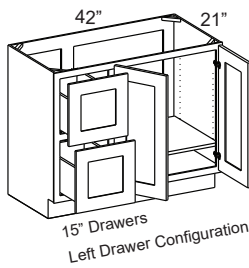
Patent Pending L/R Interchangeable Vanities

VSD30 - L/R : 12" Drawers & 18" Door
VSD36 - L/R : 15" Drawers & 21" Door

** May add up to 3 layers of optional P.O. Trays



15" Drawers
Right Drawer Configuration

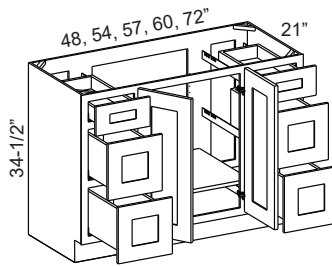


15" Drawers
Left Drawer Configuration

Patent Pending L/R Interchangeable Vanities

VSD42 - L/R

** May add up to 3 layers of optional P.O. Trays

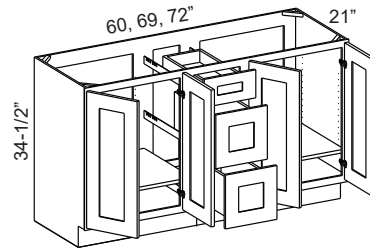


Single-Sink Vanities - 6 Drawers

VSD48 - 12"W Drawers
VSD54 - 15"W Drawers

** **VSD57 - 15"W Drawers** **

VSD60 - 15"W Drawers
VSD72 - 21"W Drawers

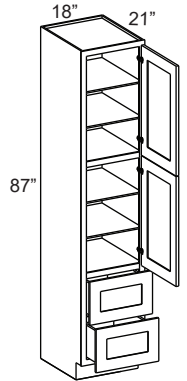


Double-Sink Vanities

VCDS60 - 12"W Drawers

** **VCDS69 - 15"W Drawers** **

VCDS72 - 18"W Drawers

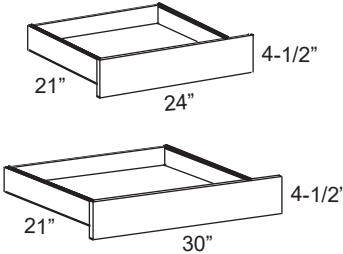
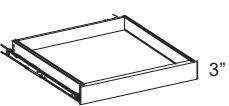
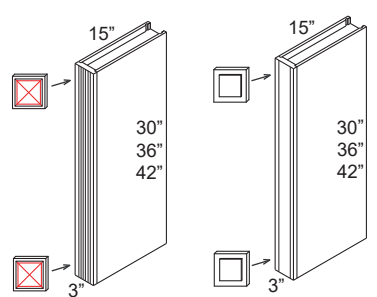


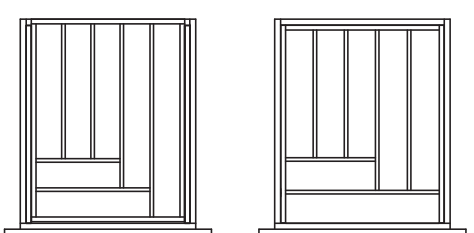
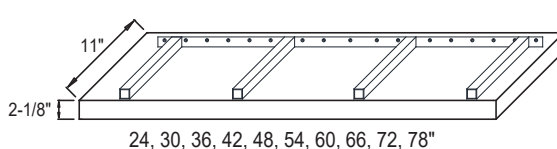
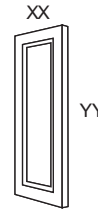
Vanity Linen
VLC1887

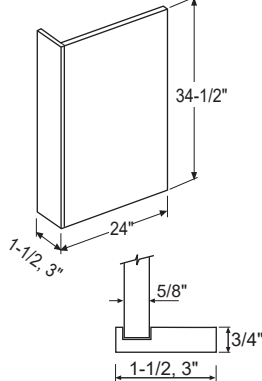
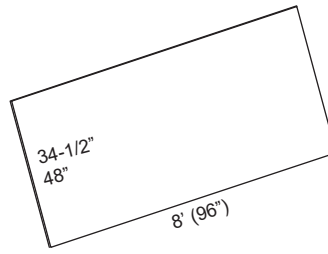
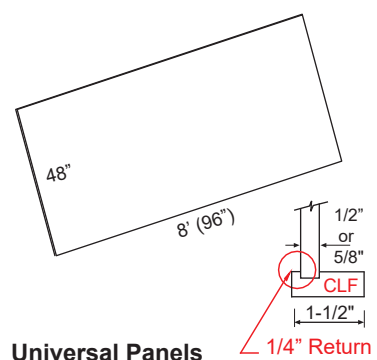
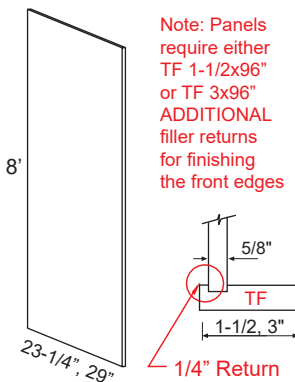
**Interchangeable with
W1830 Glass Doors

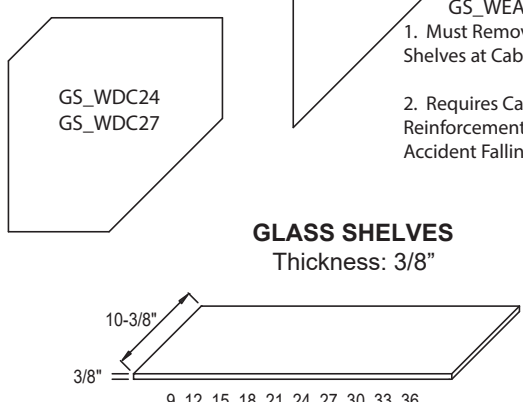
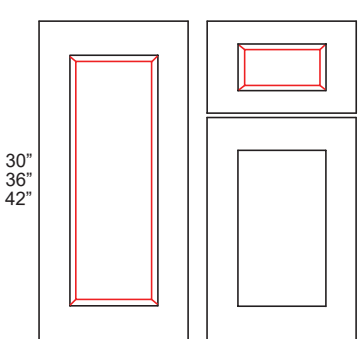
ArtiCraft Vanity Items "VS, VSD, VCDS, and VLC" come with complimentary Shelves, 3/4" x 3/4" Fillers, and Toekick Blocks

Floating Vanities - Coming Soon for Frameless Series

| | | | |
|---|--|---|---|
|  <p>Office/Make-up Desk Knee Drawers KD 24x4-1/2x21 KD 30x4-1/2x21</p> |  <p>Pull-Out Trays Available for ALL Bases: P.O. B12-42 Pantries: P.O. B18-36 Vanities: P.O. VS12-30</p> |  <p>Wall Filler Columns WFC33015, WFC33615, WFC34215</p> | <p>Customization Services</p> <p>We offer cabinet customization and modification, building specialized items or sizes, setting up exquisite showrooms, consultations, etc.</p> <p>Talk to your sales reps for more detail.</p> |
|---|--|---|---|

| | | |
|--|--|--|
|  <p>Cutlery Drawer Organizers - Patent Pending CDB15, CDB16.5, CDB18, CDB19.5, CDB21 CDB24, CDB27, CDB30, CD_DB36-3TopDr. ** Double Layer Sliding Trays - Use Existing Drawers!</p> |  <p>Floating Shelves with Metal Mounting Brackets - Patent Pending FSH24, FSH30, FSH36, FSH42, FSH48 FSH54, FSH60, FSH66, FSH72, FSH78 ** May trim each size by 3" to have one unfinished end</p> |  <p>Doors for Customization</p> <p>Almost all sizes of cabinet doors & drawers are available. Check with your sales reps for stock</p> |
|--|--|--|

| | | | |
|---|---|---|--|
|  <p>Dishwasher Panel Returns DWR 1-1/2" DWR 3"</p> |  <p>Island Back Panels PNL 8'x34-1/2"x1/4" PNL 8'x4'x1/4" Panel Thickness: 1/4"</p> |  <p>Universal Panels PNL 8'x4' x 5/8" Panel Thickness: 5/8" (1/2" for AC series) ** Need to add on the CLF 1-1/2x96" filler return for finished-front customized framing or paneling</p> |  <p>Refrigerator Panels PNL 8'x23-1/4"x5/8" PNL 8'x29"x5/8" Panel Thickness: 5/8"</p> <p>Note: Panels require either TF 1-1/2x96" or TF 3x96" ADDITIONAL filler returns for finishing the front edges</p> |
|---|---|---|--|

| | |
|--|---|
|  <p>GLASS SHELVES Thickness: 3/8"</p> <p>GS_WEA12 1. Must Remove Wood Shelves at Cabinet Assembly 2. Requires Cabinet Reinforcement to Prevent Accident Falling</p> <p>GS_WDC24 GS_WDC27</p> <p>10-3/8" 3/8" 9, 12, 15, 18, 21, 24, 27, 30, 33, 36</p> <p>GS_W09, W12, W15, W18, W21, W24, W27, W30, W33, W36</p> | <p>All Glass Doors Come With Clear, Beveled Edge Glasses</p>  <p>30" 36" 42"</p> <p>9, 12, 15, 18, 21, 24, 27, 30, 33, 36"</p> <p>Glass Doors are available for ALL WALL CABINET Items, except for the W39xx, WER, MWC, and BMW</p> <p>Many 12" and 15" Tall Wall Glass Doors are available for stacked-up designs.</p> <p>GD_W1212, 13.5x12, 1512, 16.5x12, 1812 GD_W1215, 13.5x15, 1515, 16.5x15, 1815, 2115 GD_W3012, 3015, 3018, 3021, 3024 GD_W3612, 3615, 3618, 3621, 3624</p> |
|--|---|

| | | | |
|---|---|--|--|
| <p>Traditional Crown Moldings For Venice Creme series</p> <p>CM 2-1/2" CML 3-1/2" * May be used with optional dentil insert</p> | <p>Cove Crown Moldings For RE & SS series</p> <p>CM 2-1/2" CML 3-1/2"</p> | <p>Shaker Crown Moldings For SW, AC, HG, FN, CK series</p> <p>CM 2-1/2" CML 3-1/2"</p> | <p>Inside Corner Molding CBS 3/4x100"</p> <p>Quarter Round QR 3/4x100"</p> |
|---|---|--|--|

| | | | |
|--|---|--|--|
| <p>Flat Scribe FS8</p> <p>Scribe Molding SM8</p> | <p>Outside Corner Molding OCM8</p> | <p>Toekick - 1/4" Thick TK8</p> | <p>Light Rail Moldings - LM 100</p> <p>SW, HG, FN, CK series VC series AC series SS series</p> |
|--|---|--|--|

| | | | | |
|--|---|--|---|--|
| <p>Base & Wall Fillers BF3 WF330, WF336, WF342, WF642</p> | <p>Tall Fillers TF1-1/2x96, TF3x96, TF3/4x1x100, TF6x100</p> | <p>Fluted Fillers TF396-F * Only for V. Creme</p> | <p>Mirror Frame MF 3x100 45° Angle Filler AF 3x100 Diagonal Frame DF 1-11/16x100 WDC Frame Profile</p> | <p>Dentil Insert DEM 3/4x100"</p> <p>Acanthus Overlay - ASPO ** For VC Series Only</p> |
|--|---|--|---|--|

| | | | |
|--|--|---|--|
| <p>Base Bottom Moldings</p> <p>BBM 4-7/8x100 **For VC, RE, CK, SS series</p> <p>BBM 4-7/8x100 **For SW, HG, FN, AC Series</p> | <p>Full Posts FP 35x3"</p> <p>For VC & SS series For Shaker series</p> | <p>Decorative Overlays Overlay Split Blocks & Overlay Split Posts Note: Require TF396 Backing</p> <p>OSB3x8 OSP 2-3/4x96 OSB3x10</p> <p>For VC & SS series For Shaker series</p> | <p>Corbel SM ** Ornate Corbels are for VC Series Only</p> <p>Corbel XL</p> <p>Corbel AC For All Series except Venice Creme ** New Design - check with Sales Reps for Availability</p> |
|--|--|---|--|

| | |
|--|---|
| <p>Valance Simplex</p> <p>VAS30, VAS36, VAS42, VAS48, VAS54, VAS60, VAS66, VAS72, VAS78</p> <p>Ht*** = 5" for VAS30; 8" for VAS36 = 10" for VAS42 - VAS78</p> | <p>Valance Raised Panel VRP30, VRP36, VRP42, VRP48, VRP54, VRP60, VRP66, VRP72, VRP78 * For Venice Creme Series Only</p> |
|--|---|